

Specification for M1C Series Modules

Model: M1C2X

Product Image:



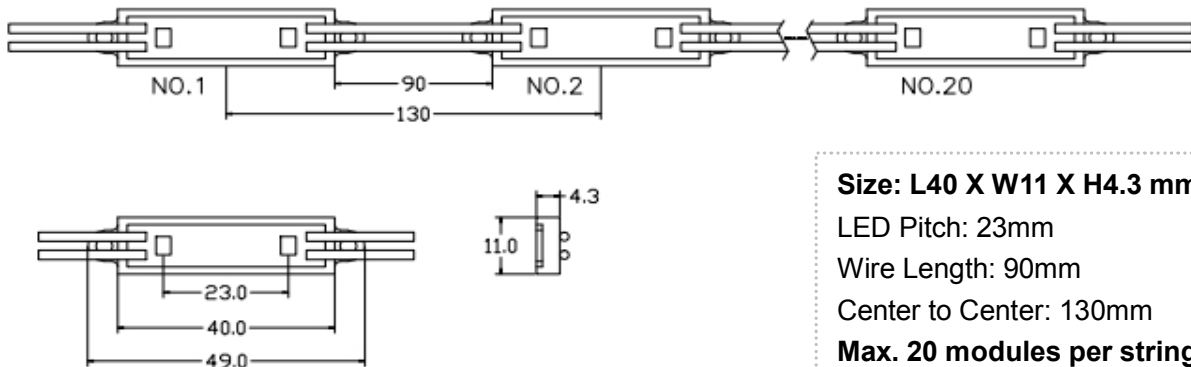
Applications:

It is suitable for 4-8cm depth signage
Mini size, suitable for Mini channel letter

Features:

1. 2chip 2835SMD LED mounted
2. Waterproof with ABS housing&epoxy sealed.
3. DC12V
4. 115 Viewing angle
5. Certificate: CE,RoHS
6. Warranty: 3years

Drawing:



Size: L40 X W11 X H4.3 mm

LED Pitch: 23mm

Wire Length: 90mm

Center to Center: 130mm

Max. 20 modules per string

Specification:

| Model No. | M1C2W | M1C2R | M1C2G | M1C2B | M1C2Y |
|--|--------------------------|---------|---------|---------|---------|
| Color | W | R | G | B | Y |
| Color Temperature(K) Wavelength(nm) | 3000/6000/9000 | 620-625 | 525-530 | 465-470 | 585-590 |
| Working Voltage | DC12V | | | | |
| Beam Angle | 115 degree Viewing Angle | | | | |
| Brightness(lm) | 32 | 8 | 23 | 5 | 9 |
| Working Current(mA/pcs) | 40 | 40 | 40 | 40 | 40 |
| Power(W/pcs) | 0.48 | 0.48 | 0.48 | 0.48 | 0.48 |
| Operating Temperature | -25°C - 60°C | | | | |
| Storage Temperature | -30°C - 70°C | | | | |
| Weight | 2.5 g/pcs | | | | |
| IP Grade | IP 65 | | | | |

Specification for M1C Series Modules

Model: M1C3SX

Product Image



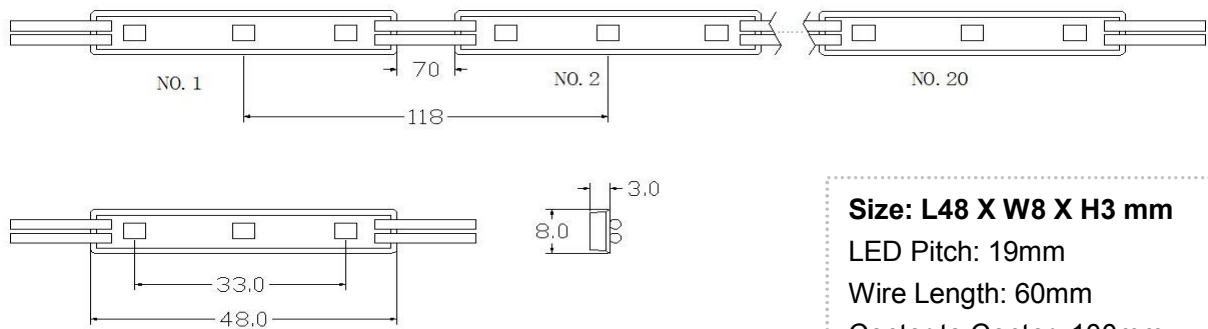
Applications:

It is suitable for 5-12cm depth signage
Medium size, suitable for Medium channel letter

Features:

1. 3chip 2835SMD LED mounted
2. Waterproof with Aluminum housing&epoxy sealed.
3. DC12V
4. 115 Viewing angle
5. Certificate: CE,RoHS
6. Warranty: 3years

Drawing



RFT4408-3X2835

Size: L48 X W8 X H3 mm
LED Pitch: 19mm
Wire Length: 60mm
Center to Center: 100mm
Max. 20 modules per string

Specification:

| Model No. | M1C3SW | M1C3SR | M1C3SG | M1C3SB | M1C3SY |
|--|--------------------------|---------|---------|---------|---------|
| Color | W | R | G | B | Y |
| Color Temperature(K) Wavelength(nm) | 3000/6000/9000 | 620-625 | 525-530 | 465-470 | 585-590 |
| Working Voltage | DC12V | | | | |
| Beam Angle | 115 degree Viewing Angle | | | | |
| Brightness(lm) | 50 | 12 | 35 | 7.5 | 13.5 |
| Working Current(mA/pcs) | 40 | 40 | 40 | 40 | 40 |
| Power(W/pcs) | 0.48 | 0.48 | 0.48 | 0.48 | 0.48 |
| Operating Temperature | -25°C - 60°C | | | | |
| Storage Temperature | -30°C - 70°C | | | | |
| Weight | 4 g/pcs | | | | |
| IP Grate | IP 65 | | | | |

Specification for M1C Series Modules

Model: M1C3X

Product Image



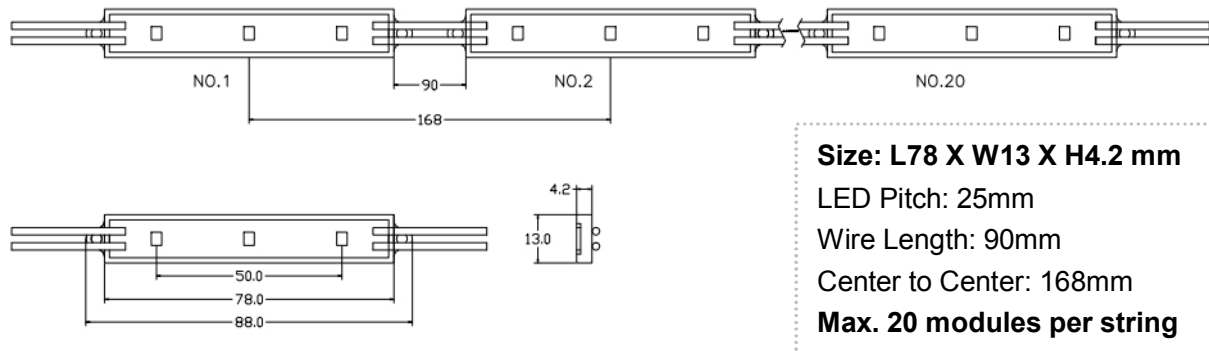
Applications:

It is suitable for 8-18cm depth signage
Big size, suitable for big channel letter

Features:

1. 3chip 2835SMD LED mounted
2. Waterproof with ABS housing&epoxy sealed.
3. DC12V
4. 115 Viewing angle
5. Certificate: CE,RoHS
6. Warranty: 3years

Drawing



Specification:

| Model No. | M1C3W | M1C3R | M1C3G | M1C3B | M1C3Y |
|--|--------------------------|---------|---------|---------|---------|
| Color | W | R | G | B | Y |
| Color Temperature(K) Wavelength(nm) | 3000/6000/9000 | 620-625 | 525-530 | 465-470 | 585-590 |
| Working Voltage | DC12V | | | | |
| Beam Angle | 115 degree Viewing Angle | | | | |
| Brightness(lm) | 54 | 13.5 | 36 | 9 | 15 |
| Working Current(mA/pcs) | 60 | 60 | 60 | 60 | 60 |
| Power(W/pcs) | 0.72 | 0.72 | 0.72 | 0.72 | 0.72 |
| Operating Temperature | -25°C - 60°C | | | | |
| Storage Temperature | -30°C - 70°C | | | | |
| Weight | 7 g/pcs | | | | |
| IP Grade | IP 65 | | | | |